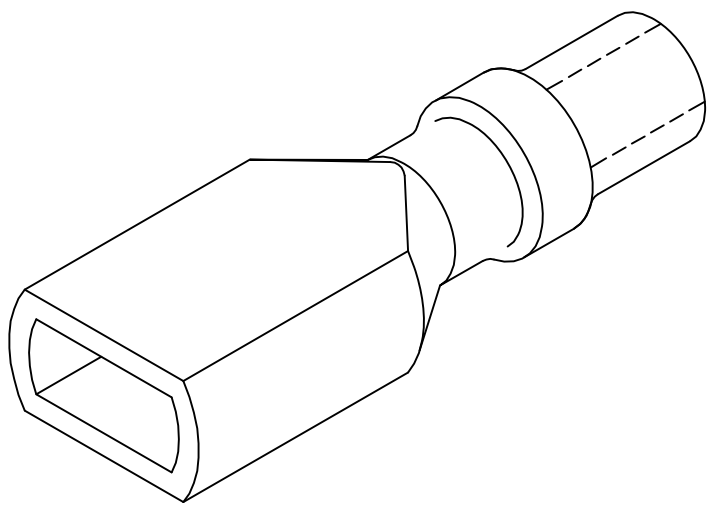
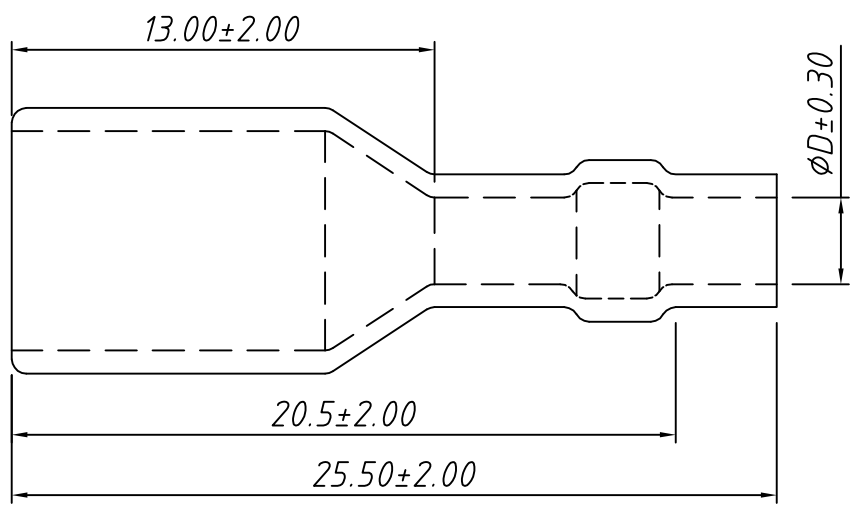
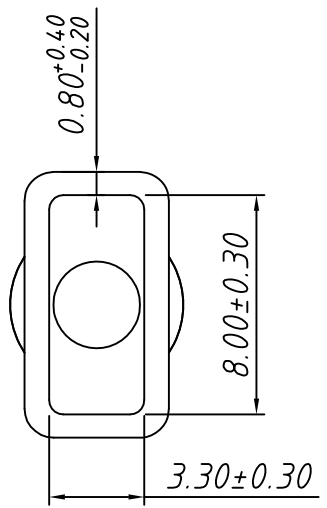


1
RoHS Compliant



Note:
 1. Appearance: Have not impress bubble short of glues; not strange color and impurity.
 2. Material: PVC UL94V-2, Transparent
 3. Q'TY: 2000PCS/BAG
 4. Suitabe Terminal: KLS8-DFE01



P/N	ØD±0.30
L-KLS8-DDR01-2502506	2.5
L-KLS8-DDR01-2503006	3.0
L-KLS8-DDR01-2503506	3.5
L-KLS8-DDR01-2504006	4.0
L-KLS8-DDR01-2504506	4.5
L-KLS8-DDR01-2505006	5.0

TOLERANCE		PROJECTION	Description:		
0 - 3mm	±0.10	UNITS	250 Type PVC		
3 - 6mm	±0.15	SHEET SIZE	SLEEVE, for Cable Terminal		
6 - 10mm	±0.20	KLS P/N: KLS8-DDR01			
10 - 30mm	±0.25	 NingBo KLS ELECTRONIC CO.,L TD.			
Draw:	Daniel			ANGLE	±3°
Check:	Daniel			Date:	2019-04-10