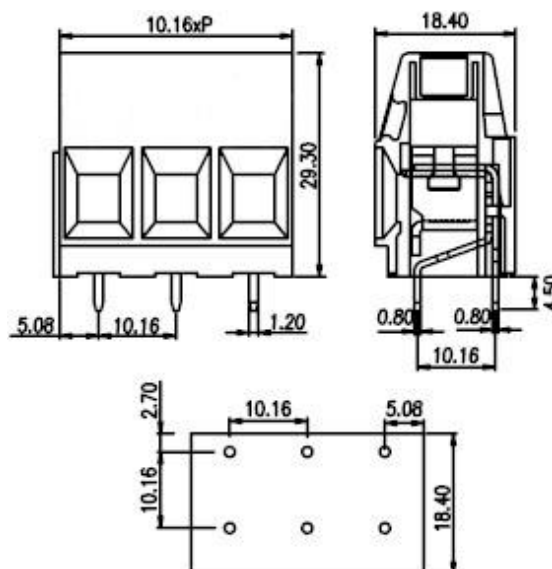




European P.C.B. type terminal blocks / EK series



ESK116V



Pitch: 10.16mm

Approval	 	
Technical Data	UL	IEC
Rated voltage	300V / 600V	1000V
Rated current	65A / 5A	57A
Conductor cross-section, solid (AWG/ mm ²)	20~6 / 0.5~10	
Conductor cross-section, flexible (AWG/ mm ²)	20~6 / 0.5~10	
Rated surge voltage (UL/IEC/Max.)	2.2 / 3 / 4 KV	
Torque (N-m)	1.76	
Screw	M4	
Wire strip length	10~11mm	
Pole	Cat. No.	
02	ESK116V-02P	
03	ESK116V-03P	
:	:	
:	:	