

1
RoHS Compliance

2

3

4

5

6

7

8

A

A

B

B

C

C

D

D

E

E

F

F

G

G

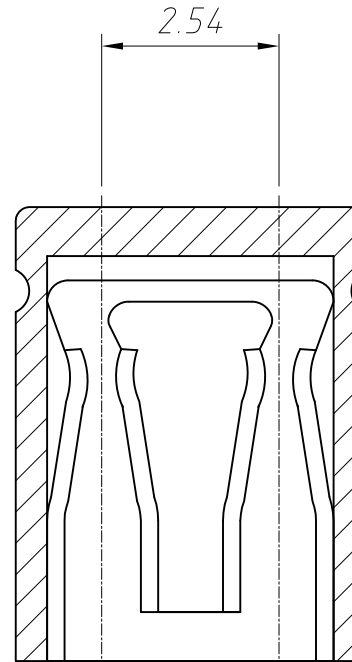
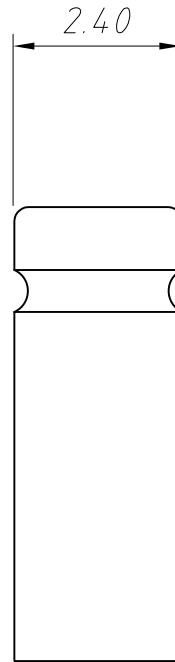
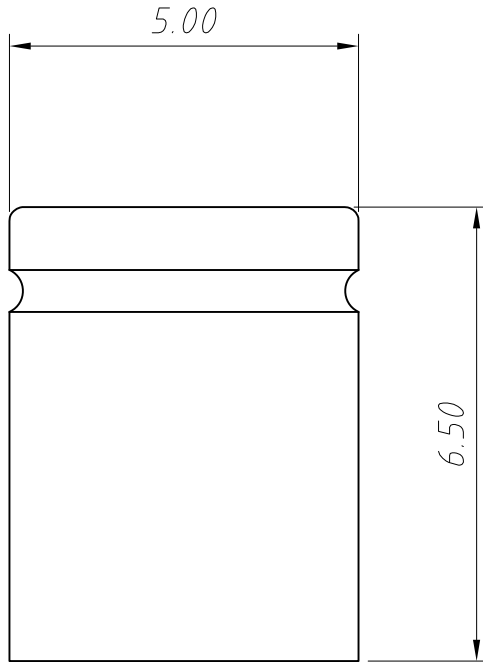
H

H

Material:
Standard:PBT
Contact:Brass
Insulator:Polyester,UL94V-0

Electrical Characteristics:
Rated Current: 3.0AMP
Contact Resistance: 20mΩ Max
Withstand Voltage: 1000V AC/DC
Insulator Resistance: 5000MΩ Min

Mechanical
Operating Temperature: -55°C ~ +105°C



Order Information:

L-KLS1-203A-C-B-6.5

L: RoHS
Pin Header Series
203A:2.54mm
Housing Type:
C-Close
Color: B- Black R-Red
L-Blue G-Green
Height:
Close Type:6.5mm

ANGLE TOLERANCE	PROJECTION	Description:	
±3°		2.54mm Pitch Mini Jumper Connector	
GENERAL TOLERANCE	UNITS	mm	KLS P/N:
x.x ±0.30	SHEET SIZE	A4	L-KLS1-203A-C-B-6.5
x.xx ±0.20	Draw:	Daniel	2018-07-10
x.xxx ±0.10	Check:	Daniel	2018-07-10



NingBo KLS ELECTRONIC CO.,LTD.