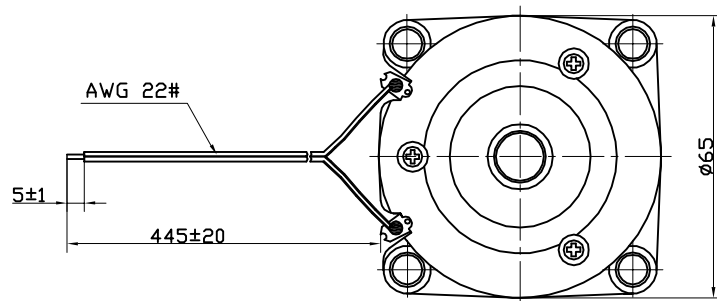
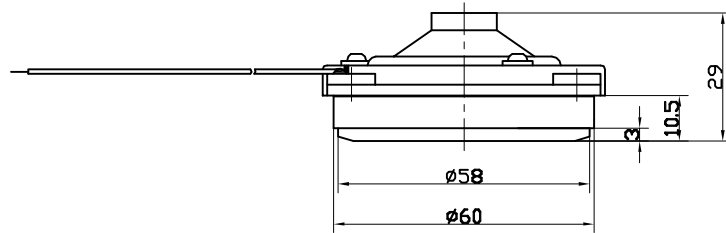


Specification

(Test Condition, 25 °C)



1. Housing Material/ Color..... ABS/Black
2. Voice Coil Impedance 4 Ohm (at 1 KHz)
3. Voice Coil Dimension Ø 25.4 mm(Dia.)
4. Magnet Size Ø60*32*7 mm(Dia.* dia.*H)
5. Power Rating RMS 15 W
6. Power Rating Peak 20W
7. S.P.L. Min.95 dB(at 1 meter/1W)
8. Resonant Frequency 2KHz±10%
9. Rated Frequency Range..... 500~8500Hz
10. Load Test 8 Hours (at 15w)
11. Heat Test 8 Hours (at 85°C)
12. Operating Temperature range -20 ~ +60°C
- 13.Store Temperature.....-20 ~ +70°C
14. Wires ConnectionBlack、White(Non-polarized)
- 15.Weight 240 ±10g

				KEPO NINGBO KEPO ELECTRONIC CO.,LTD http://www.chinaacoustic.com	
				Electronic Siren	
				S-90D-4	
No.	DESCRIPTION	APPROVED	DATE		
<small>TOLERANCES UNLESS NOTED OTHERWISE X ±.1 A .XX ±.1 A .XXX ±.1 A 90° ± FORMED ±.2 A ANGLES ±.1 A FIRST ANGLE PROJECTION</small>		APPROVALS			
		DRAWN			
		CHECKED		UNIT	DWG NO.
		APPROVED	05.09.14	mm	KP4.840.450
				SCALE	SHEET
				NOT TO SCALE	VER 1.0