

SPECIFICATION

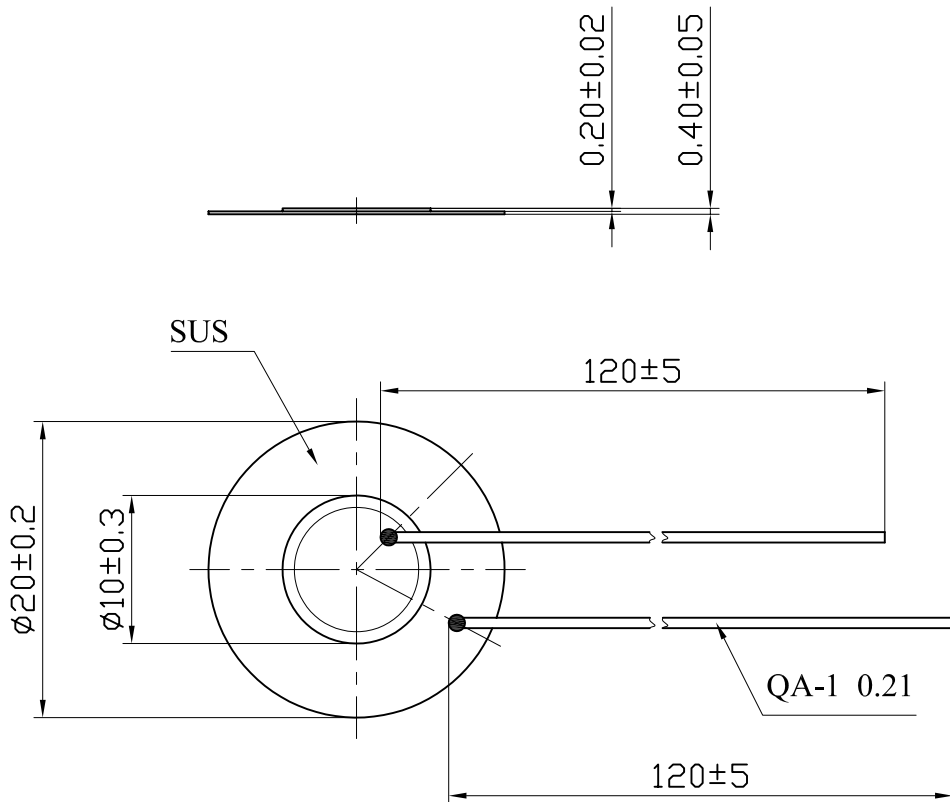
1. SCOPE

This specification is applied to the piezo-element.

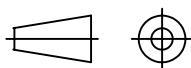
2. SPECIFICATION

(at 25°C)

- | | | |
|---------------------------|---|------------------------|
| 2.1 Resonant Frequency | : | 21 ± 1.5 KHz |
| 2.2 Resonant Resistace | : | 1000 Ω max |
| 2.3 Capacitance | : | 6500 pF ± 30% at 100Hz |
| 2.4 Input Voltage | : | 30 Vp-p max |
| 2.5 Operating Temperature | : | -20 ~ +50°C |
| 2.6 Storage Temperature | : | -20 ~ +70°C |
| 3. DIMENSION | : | as per figure |



TOLERANCES UNLESS NOTED OTHERWISE .X ± .XX ± .XXX ± 90° FORMED +2° ANGLES -1°	DRAWN		KEPO MODEL NO.	CUSTOMER 大洋公司			
	DESIGN		TCA1089-A/KA	CUSTOMER NO.			
	CHECKED			VER 1.0 SCALE			
	APPROVED		DWG NO.	UNIT	mm	SHEET	
	DATE	05.10.25	OEM1254	TEL: (+86)574-88370330 FAX: (+86)574-88370329			
	CONTRACT NO.		KEPO CO., LTD.				
FIRST ANGLE PROJECTION	AGENCY APPROVAL						



1

2

3

4