

## 25X25X10 mm

## KF0210-00 Series

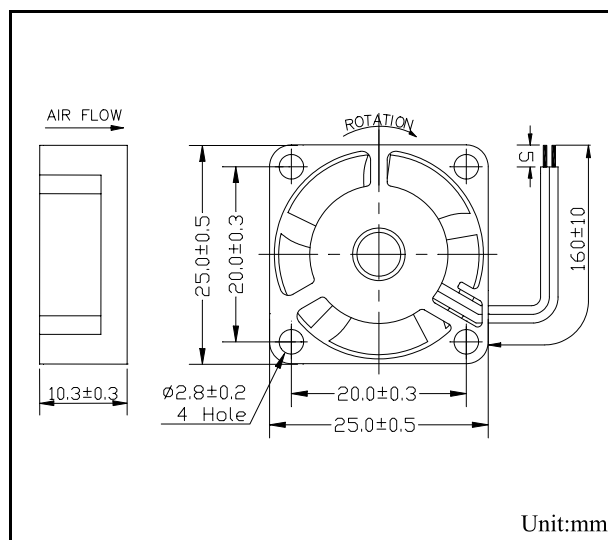
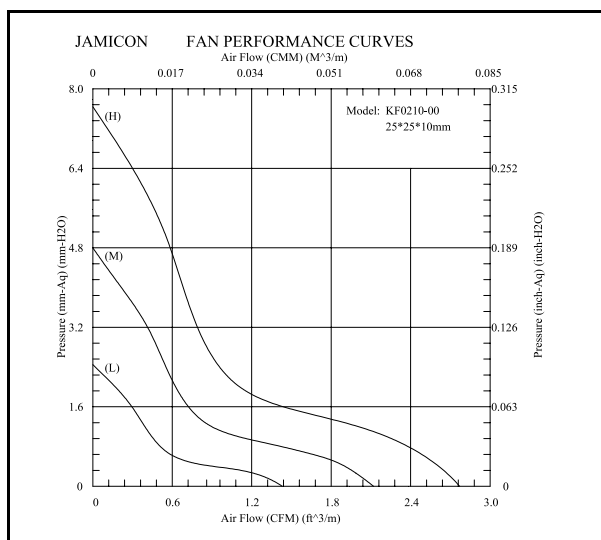
- **Frame** : Plastic Material UL 94V-0
- **Impeller** : Plastic Material UL 94V-0
- **Speed Range** :  $\pm 15\%$



### SPECIFICATIONS

Model	Bearing	Rated Voltage (V)	Operating Voltage (V)	Air Flow (CFM)	Static Pressure (inchH <sub>2</sub> O)	Speed (R.P.M.)	Input Current (Amp)	Input Power (Watt)	Nominal Power (Watt)	Noise (dBA)	Weight (g)	
KF0210B5HR00	Dual Ball	5	4.25~5.75	2.54	0.293	13000	0.22	1.10	1.0	32.1	7	
KF0210B5MR00				1.91	0.183	10000	0.13	0.65	0.8	26.4		
KF0210B5LR00				1.27	0.091	7000	0.10	0.50	0.5	16.7		
KF0210C5HR00	Ball + Sleeve			2.54	0.293	13000	0.20	1.00	1.0	32.1		
KF0210C5MR00				1.91	0.183	10000	0.16	0.80	0.8	26.4		
KF0210S5HR00				Sleeve	2.54	0.293	13000	0.22	1.10	1.1		32.1
KF0210S5MR00	1.91		0.183		10000	0.18	0.90	1.0	26.4			
KF0210S5LR00	1.27		0.091		7000	0.12	0.60	0.7	16.7			
KF0210B1HR00	Dual Ball		12	10.2~13.8	2.54	0.293	13000	0.09	1.08	1.6		32.1
KF0210B1MR00					1.91	0.183	10000	0.07	0.84	0.8		26.4
KF0210B1LR00					1.27	0.091	7000	0.06	0.72	0.7		16.7
KF0210C1HR00	Ball + Sleeve				2.54	0.293	13000	0.10	1.20	1.4		32.1
KF0210C1MR00		1.91			0.183	10000	0.07	0.84	0.8	26.4		
KF0210S1HR00		Sleeve			2.54	0.293	13000	0.12	1.44	1.5	32.1	
KF0210S1MR00	1.91			0.183	10000	0.10	1.20	1.3	26.4			
KF0210S1LR00	1.27			0.091	7000	0.08	0.96	1.2	16.7			

Specifications subject to change without notice



Unit:mm