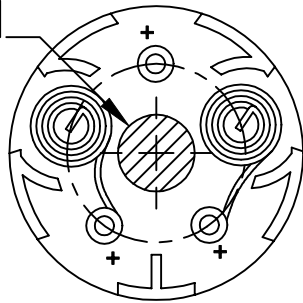
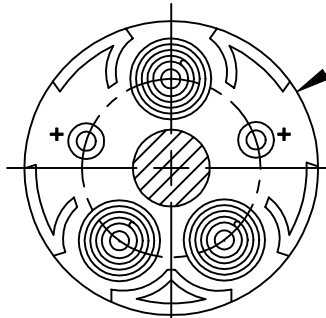


∅10.16 [∅0.40]
TYP.

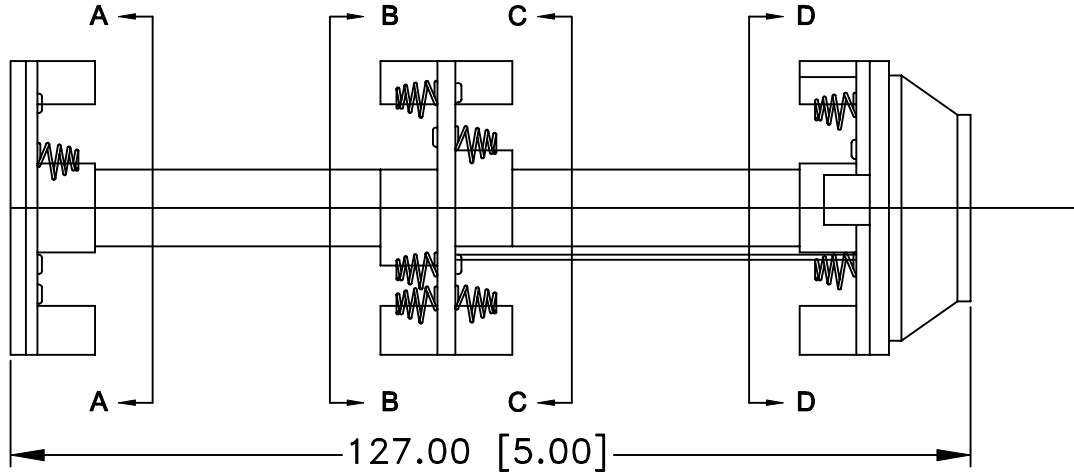


SECTION A-A

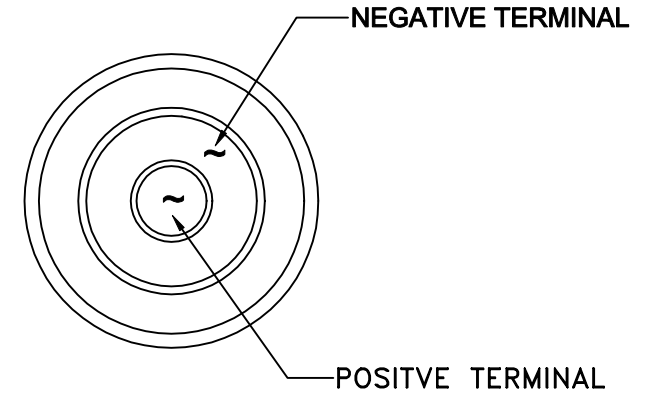
∅38.86 [∅1.53]
TYP.



SECTION B-B

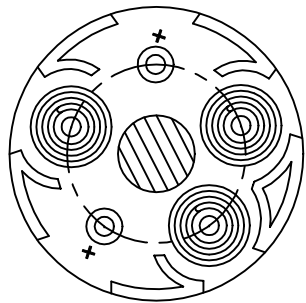


Date	SYM	REVISION RECORD	AUTH	DR.	CK.



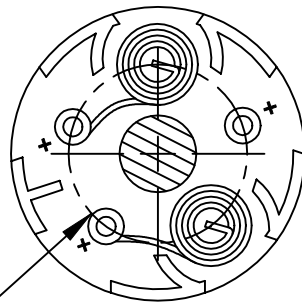
NOTES:

1. MATERIAL:
HOUSING : BLACK POLYPROPYLENE, UL94-HB,
FILE NO. E163907 (J700)
RIVETS: BRASS, NICKLE PLTD.
SPRING: SPRING STEEL, NICKLE PLTD.
CONTACTS: 0.6mm THICK BRONZE, NICKLE PLTD.




SECTION C-C

R11.81 [R0.46]
TYP.



SECTION D-D

Tolerance (Except as noted)	 Memory Protection Devices, Inc 200 Broad Hollow Road, Farmingdale, New York 11735	
decimal ±.5 (.020)	Scale	Drawn By B.S. Approved By T.B.
Fractional ± .8 (.030)	Title 10 "AA" BATTERIES HOLDER	
Angular ± 3°	Date 05/15/04	Drawing Number BK-5031