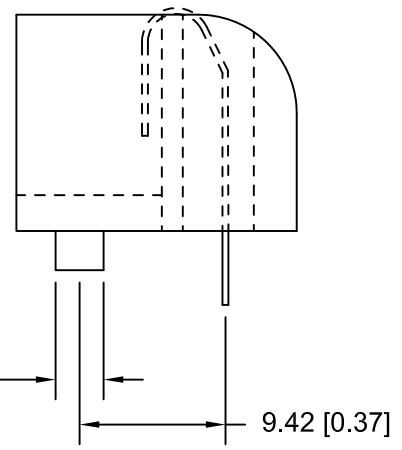
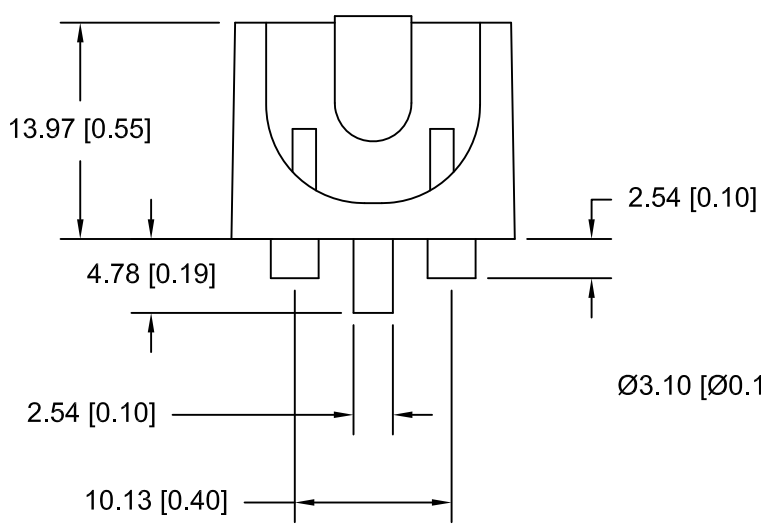
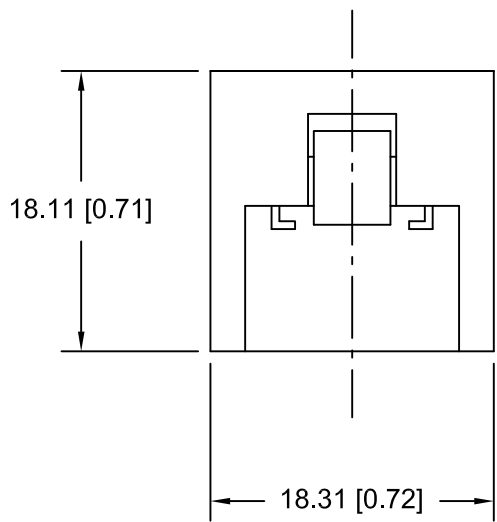



Date	SYM	REVISION RECORD	AUTH	DR.	CK.
06/29/12	A	Added Dim. 10.13 and 2.54	T.B.	B.S.	
11/21/14	B	Updated to ROHS 2 compliant	T.B.	B.S.	



**SPECIFICATION:**

- HOUSING : BLACK POLYPROPYLENE  
 FLAMMABILITY RATING -UL94-HB, UL FILE NO. E216959  
 TEMPERATURE RANGE: -10°C to +100°C  
 CONTACTS: NICKEL PLATED STAINLESS STEEL  
 ROHS 2 COMPLIANT

Tolerance (Inches)	 <b>Memory Protection Devices, Inc</b> 200 Broad Hollow Road, Farmingdale, New York 11735		
Decimal ±.5 (.020)	Scale	Drawn By B.S.	
Fractional ± .8 (.030)	Title AA BATTERY HOLDER; POSITIVE SIDE		
Angular ± 3°	Date 11/21/14	Drawing Number CB-AA-PC-POS	
		Approved By T.B.	