

# SPECIFICATION

## FOR APPROVAL

Customer : \_\_\_\_\_

Product Name : Sensor \_\_\_\_\_

Model Name : VS-P1040H7R \_\_\_\_\_

Drawing No. : VS20230920006 \_\_\_\_\_

### Signature of Voise

Approved by	Checkde by	Issued by	Date

 **福爱斯电子有限公司**  
VOISE ELECTRONICS CO.,LTD.

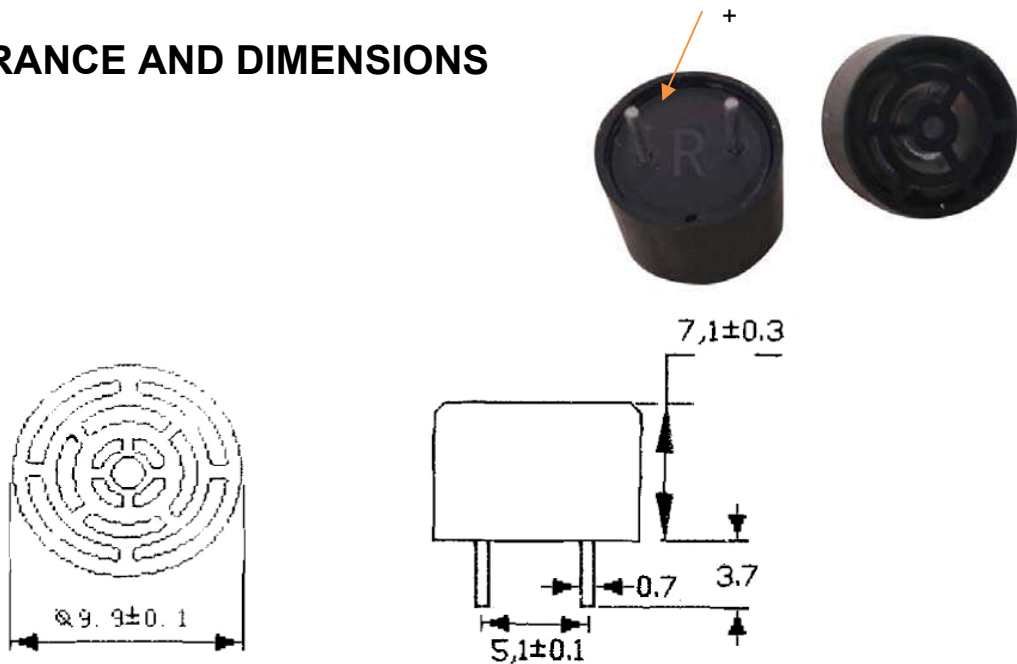
Address:No 96 Mogao Dongqian Lake Industial Area ningbo,China,  
Tel:0086-0574-87773030;Fax:0086-0574-87471600 P.C.315121  
<http://www.nbvoise.com> Email:sales@nbvoise.com

<b>Specification for Sensor</b>		Page	2/4
		Revision No.	1.0
Model No.:	VS-P1040H7R	Drawing No.	VS20230920006

## ELECTRICAL SPECIFICATION

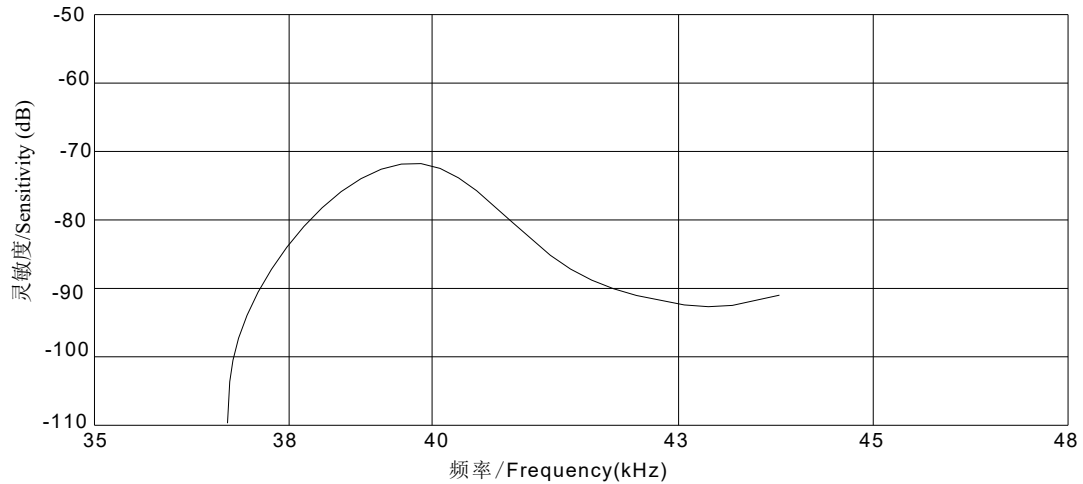
No	Items	Specification
1	Construction	Open
2	Using Method	Receiver
3	Center frequency(KHz)	40±5 KHZ
4	Directivity	80°
5	Transmitting Sound Pressure Level	-
6	Sensitivity	≥-75dB V/μMbar
7	Capacitance(pF)	2500±15% @1kHz
8	Allowable Maximum Input Voltage(Vp-p)	-
9	Detectable range	0.2—6 m
10	Operating Temperature	-20~ +80(°C)
11	Storage Temperature	-30~ +85(°C)
12	Material	Plastic

## APPEARANCE AND DIMENSIONS

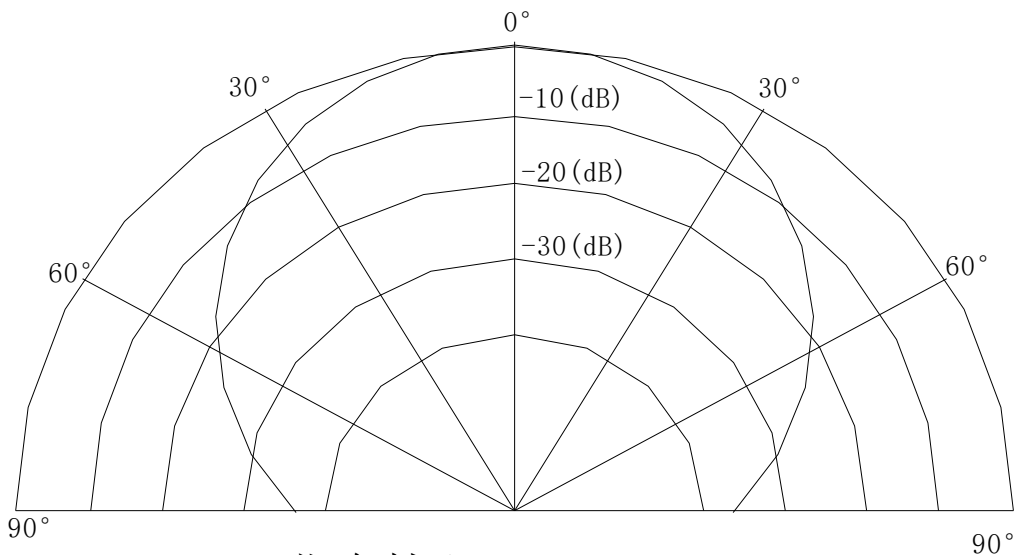


<b>Specification for Sensor</b>		Page	3/4
		Revision No.	1.0
Model No.:	VS-P1040H7R	Drawing No.	VS20230920006

### Beam Pattern



灵敏度-频率特性图/Sensitivity-Freq.Characteristics

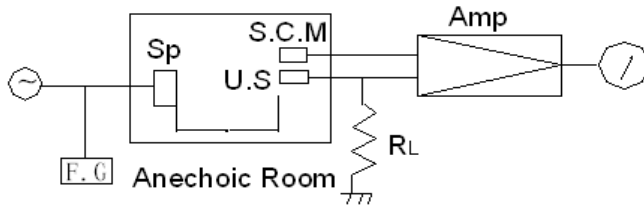


指向性/Direcivity in Sensitivity

Specification for Sensor		Page	4/4
		Revision No.	1.0
Model No.:	VS-P1040H7R	Drawing No.	VS20230920006

### Test Circuit

#### Receiver



RL: 3.9KΩ

U.S. :Ultrasonic Sensor

S.C.M:Standard Cappable Microphone

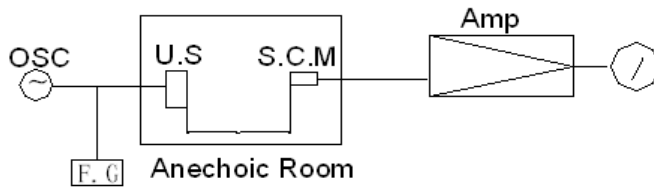
Amp. :Amplifier

OSC. :Oscillator

Sp :Tweeter

F.C. :Frequency Counter

#### Transmitter



U.S. :Ultrasonic Sensor

S.C.M:Standard Cappable Microphone

Amp. :Amplifier

Input voltage: 10Vrms

F.C. :Frequency Counter