

SPECIFICATION

FOR APPROVAL

Customer : _____

Product Name : SMD Buzzer _____

Model Name : VS9018PF40V1.5 _____

Drawing No. : VS20230814007 _____

Signature of Voice

Approved by	Checkde by	Issued by	Date

 福爱斯电子有限公司
VOISE ELECTRONICS CO.,LTD.

Address:No 96 Mogao Dongqian Lake Industial Area ningbo, China,
Tel:0086-0574-87773030;Fax:0086-0574-87471600 P.C.315121
<http://www.nbvoise.com> Email:sales@nbvoise.com

Specification for SMD Buzzer		Page	3/7
		Revision No.	1.0
Model No.:	VS9018PF40V1.5	Drawing No.	VS20230814007

2. Scope

This product specification is applied to the Piezo Buzzer in alarm systems. Please contact us when using this product for any other applications than described in the above.

3. General Characteristics

- 3.1 Dimension : 9x9 mm
- 3.2 Height : 1.8 mm
- 3.3 Weight : 0.3 g
- 3.4 Operating Temperature : -40~+85°C without loss of function
- 3.5 Store Temperature : -40~+90°C without loss of function
- 3.6 Environmental protection rule :ROHS

4. Electrical and Acoustic Characteristics.

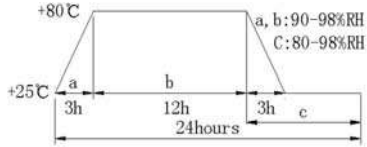
Test condition :15 ~ 35 °C Temp., 45% ~ 85% RH,86~106 kPa Refer to IEC60268-1

No	Items	Specification
1	Oscillation Frequency	4000 Hz
2	Operating Voltage	1 ~12.5 Vo-p
3	Rated Voltage	1.5 Vo-p
4	Min Sound Pressure Level	65 dB at 10cm Rated Voltage/4000Hz, square wave
5	Max Current Consumption	5mA at Rated Voltage/4000Hz, square wave
6	Electrostatic Capacity	12000±30%pF
7	Housing Material	LCP(Black)
8	Color	Black
9	Pad plating	Sn

Specification for SMD Buzzer		Page	4/7
		Revision No.	1.0
Model No.:	VS9018PF40V1.5	Drawing No.	VS20230814007

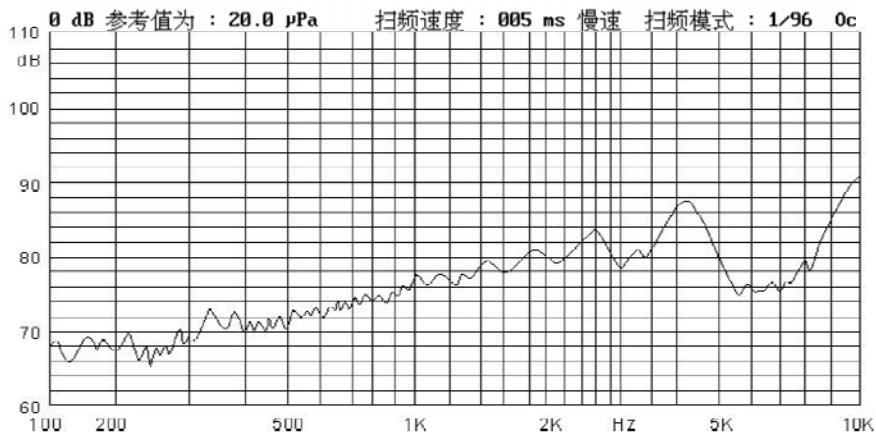
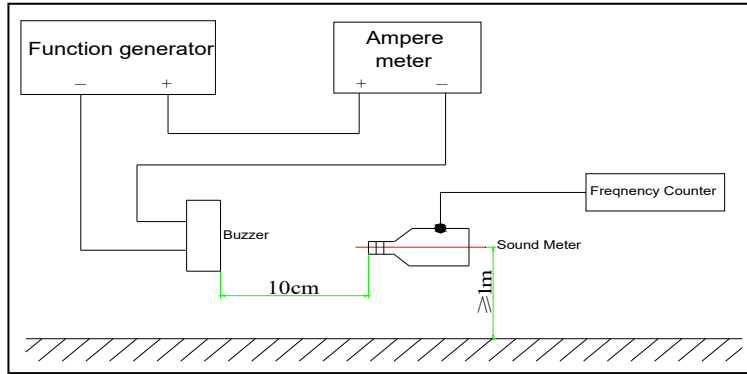
5. Reliability Test

After test(1~5item), the buzzer S.P.L . difference shall be within $\pm 10\text{dB}$, and the appearance not exist any change to be harmful to normal operation

No	Items	Specification
1	High Temp.Test	After being placed in a chamber at $+80\pm 2\text{ }^\circ\text{C}$ for 96h and then being placed in natural condition for 4h, and then check.
2	Low Temp.Test	First being placed in a chamber at $-40\pm 2\text{ }^\circ\text{C}$ for 96h and then being placed in natural condition for 4h, and then check.
3	Temp./Humidity Test	The buzzer shall be subjected to 5 cycle: One cycle shall be 24 hours and of and then being placed in natural for 4h ,and then check. 
4	Thermal Shock Test	After being worked in a chamber at $+80\pm 2\text{ }^\circ\text{C}$ for 0.5 hour, then sounder shall be placed in a chamber at $-40\pm 2\text{ }^\circ\text{C}$ for 0.5 hour(1 cycle is the below diagram).The test duration is for 10 cycle.after being placed in natural condition for 4 hour.and then check.
5	Vibration Test	Being applied vibration of amplitude of 1.5mm with 10-55Hz band of vibration frequency,X.Y.Z.3 direction.2 hours each, total 6 hours.
6	Drop Test	Free drop fram 0.75 meter height to a board 40mm thick hard wood board 3 times in axes X.Y.Z. and be nothing mechanical damage. atol 9 times.
7	Solderability	Lead terminals are immersed in solder bath of $+235\pm 5\text{ }^\circ\text{C}$ for 3 ± 1 seconds.95% surface of lead pads must be covered with fresh solder.
8	Soldering Heat Resistance	The product is followed the reflow temperation curve to test its reflow thermostability.No interference in operation.
9	Terminal Strength Pulling	Lead pads shall be soldered on the pc board, and the force 9.8N(1.0kg) shall be applied behaid the part for 10 seconds.No damage and cutting off.
10	Continuous life test	The part shall be subjected to 72 hours at $+80\text{ }^\circ\text{C}$ with 1.5V Vo-p, 2731Hz applied.after being placed in natural condition for 4 hour.and then check. The SPL shall be within $\pm 10\text{dB}$.
11	Intermittent life test	A duty cycle of 1 minute on, 1 minute off, a minimum of 5000 times at room temp.($25\pm 10\text{ }^\circ\text{C}$) with 3V Vo-p, 2731Hz applied. after being placed in natural condition for 4 hour.and then check. The SPL shall be within $\pm 10\text{dB}$.

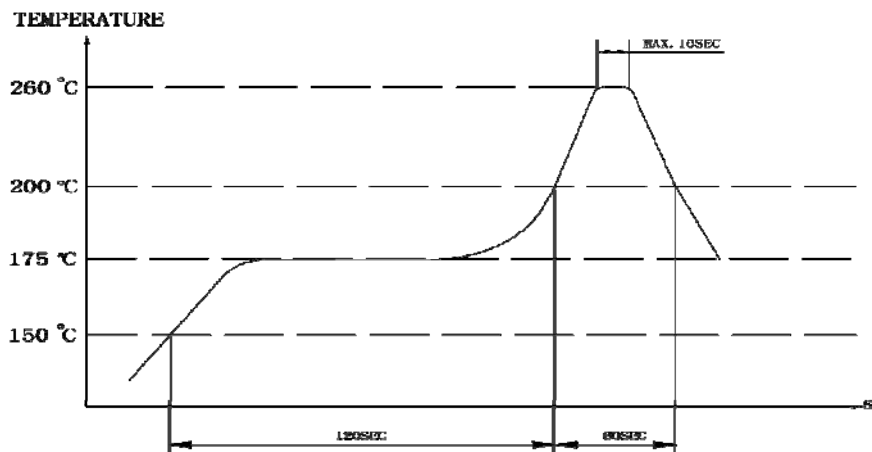
Specification for SMD Buzzer		Page	5/7
		Revision No.	1.0
Model No.:	VS9018PF40V1.5	Drawing No.	VS20230814007

6. Measurement Method & Frequency Response curve



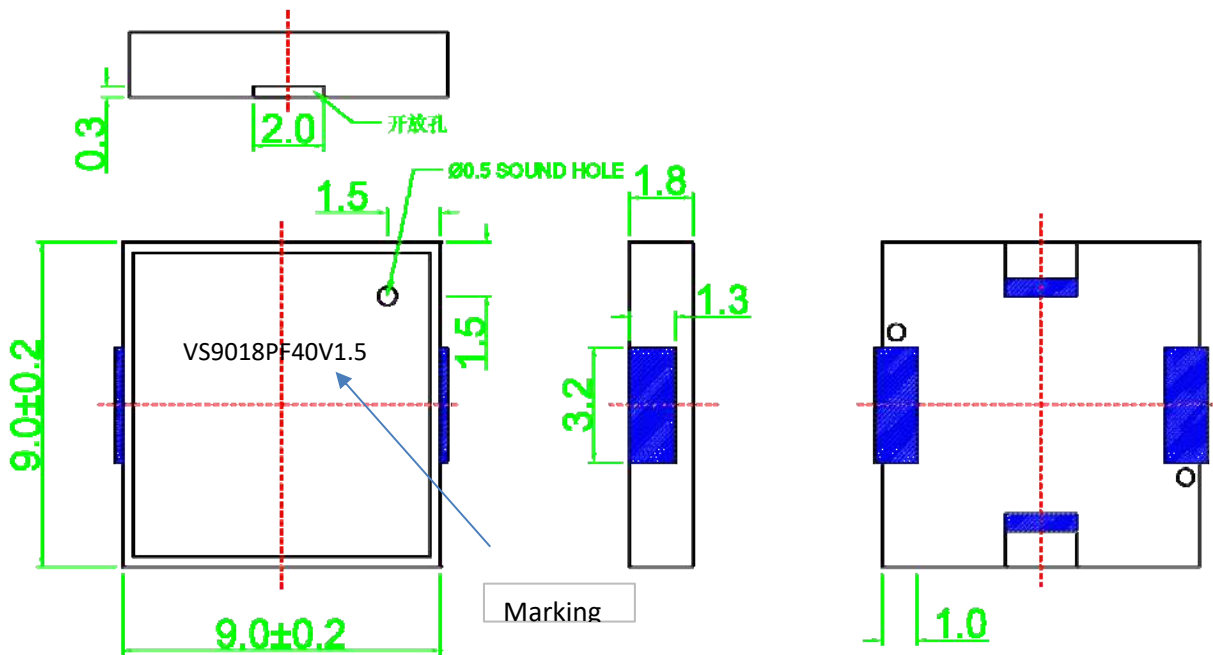
7. Recommended temperature profile for reflow oven

Recommendable reflow soldering condition is as follows (Reflow soldering is twice)Note:It is requested that reflow soldering should be executed after heat of product goes down to normal.

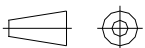


Specification for SMD Buzzer		Page	6/7
		Revision No.	1.0
Model No.:	VS9018PF40V1.5	Drawing No.	VS20230814007

8. Dimensions



FIRST ANGLE PROJECTION

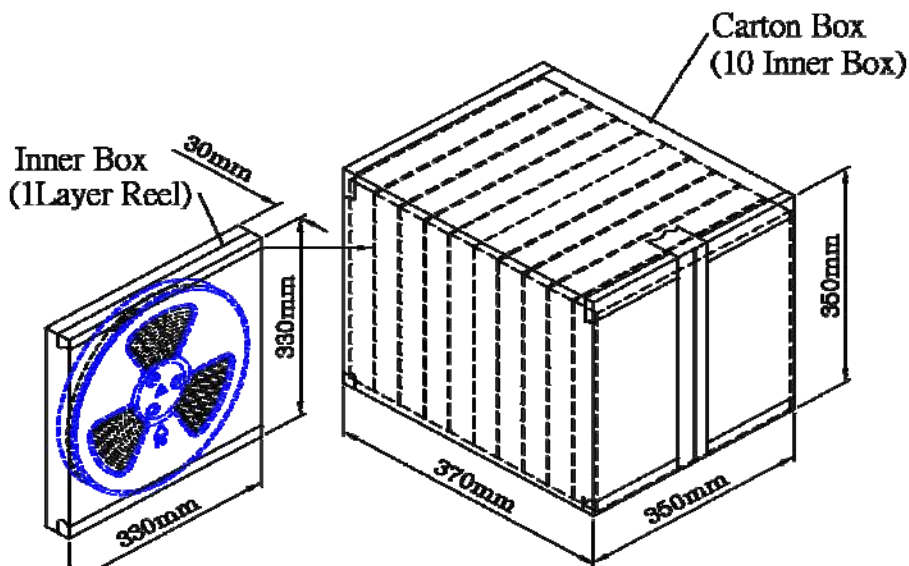
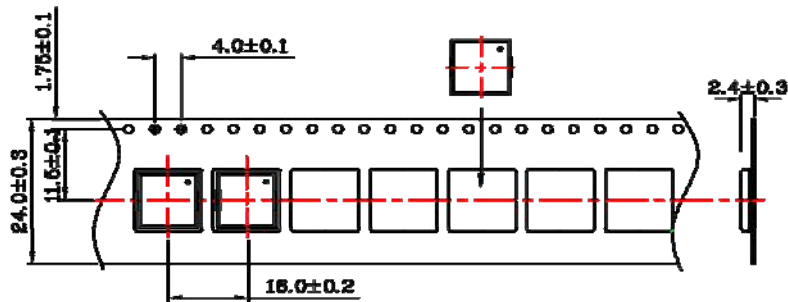
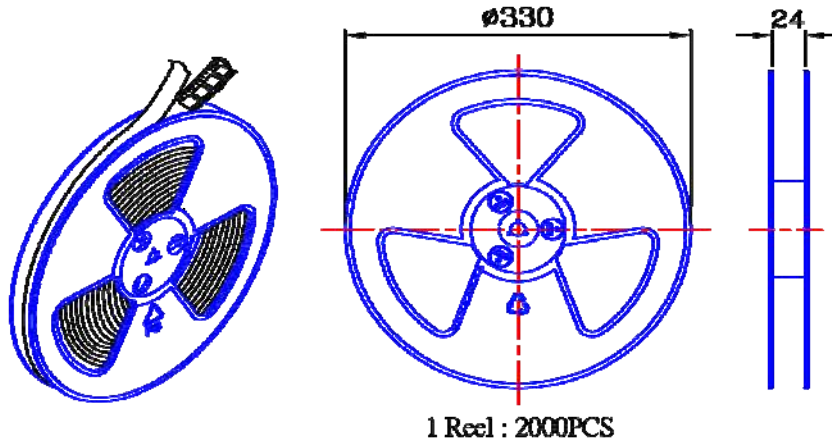


UNIT : mm

Tolerance : ± 0.2

Specification for SMD Buzzer		Page	7/7
		Revision No.	1.0
Model No.:	VS9018PF40V1.5	Drawing No.	VS20230814007

9. Packing



Inner Box	330mmx330mmx30mm	1x2000PCS=20,000PCS
Carton Box	350mmx350mmx370mm	10x2000PCS=20,000PCS