



# SPECIFICATION

## FOR APPRONAL

Customer : \_\_\_\_\_

Product Name : Horn Speaker \_\_\_\_\_

Model Name : VSH-59 \_\_\_\_\_

Drawing No. : VS20191014013 \_\_\_\_\_

### Signature of Voise

Approved by	Checkde by	Issued by	Date



福爱斯电子有限公司  
VOISE ELECTRONICS CO.,LTD.

Office Add:Haoyangguang B-302# No.968 Baizhang Road,Ningbo China  
Factory add: Shishan Industrial Park Moushan Town Yuyao City China  
Tel:86-0574-87471601 Fax:86-0574-87471603 P.C.315000  
Http://www.nbvoise.com E-mail:sales@nbvoise.com



Specification for Horn Speaker		Page	2/6
		Revision No.	1.0
Model No.:	VSH-59	Drawing No.	VS20191014013

## Table of contents

1. Revision
2. Scope
3. General Characteristics
4. Electrical and Acoustic Characteristics.
5. Reliability Test
6. Dimensions
7. Packing

### 1. Revision

Rev.No.	Date	Page	Description of Revision
1.0	2019/10/14		Preliminary



Specification for Horn Speaker		Page	3/6
		Revision No.	1.0
Model No.:	VSH-59	Drawing No.	VS20191014013

## 2. Scope

This product specification is applied to the Siren in alarm systems. Please contact us when using this product for any other applications than described in the above.

## 3. General Characteristics

- 3.1 Out-Diameter : 58x58 mm
- 3.2 Height : 70 mm
- 3.3 Weight : 160 g
- 3.4 Operating Temperature : -20~+60°C without loss of function
- 3.5 Store Temperature : -30~+70°C without loss of function

## 4. Electrical and Acoustic Characteristics.

Test condition : 15 ~ 35 °C Temp., 25% ~ 75% RH, 86~106 kPa Refer to IEC60268-1

No	Items	Specification
1	Rated Rating RMS	15W
2	Power Rating Peak	20W
3	Min Sound Preesure Level	105dB at 1M/1W
4	Resonant Frequency	1.4kHz±20%
5	Rated Frequency Range	500-5500Hz
6	Voice Coil Impedance	8Ω±15% 1Vrms at 2kHz
7	Voice Coil Size	Ø25.4mm
8	Housing Material/Color	ABS/Black
9	Magnet Size	Ø45xØ22x8mm; Ferrite



Specification for Horn Speaker		Page	4/6
		Revision No.	1.0
Model No.:	VSH-59	Drawing No.	VS20191014013

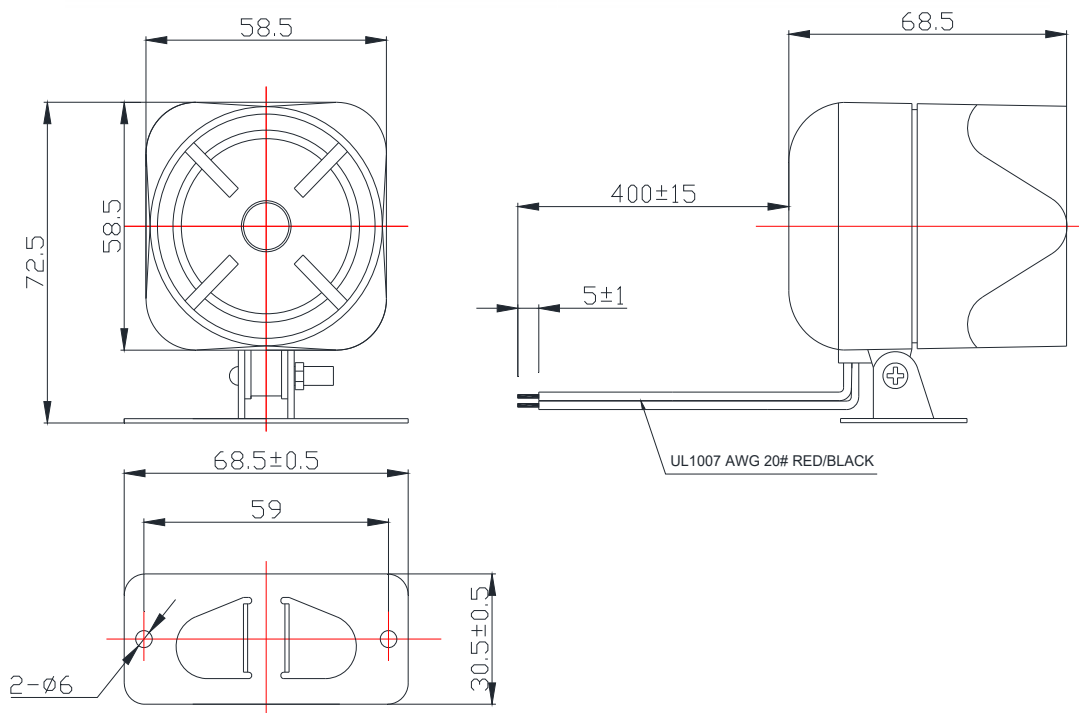
## 5. Reliability Test

After test(1~6item), the buzzer S.P.L . difference shall be within  $\pm 8\text{dB}$ , and the appearance not exist any change to be harmful to normal operation

No	Items	Specification
1	High Temp.Test	After being woked in a chamber with $+60\pm 2\text{ }^\circ\text{C}$ for 2h and then being placed in natural condition for 2h, and then check.
2	Low Temp.Test	First being worked in a chamber with $-20\pm 2\text{ }^\circ\text{C}$ for 2h and then being placed in natural condtion for 2h, and then check.
3	Humidity Test	After being placed in a chamber with 90 to 95%R.H. at $+40\pm 2\text{ }^\circ\text{C}$ for 2 h and then being placed in natural condition for 2h ,and then check.
4	Shock Test	Under acceleration of peak $100\text{m/s}^2(10\text{g})$ & half sine wave pulse(pulse time is 16ms) condition. Run into product 1000 times continuously.
5	Vibration Test	Being applied vibration of amplitude of 1.5mm with 10-30Hz band of vibration frequency,X.Y.Z.3 direction.2 hours each, total 6 hours.
6	Drop Test	Free drop fram 0.5 meter height to a board 20mm thick hard wood board. and be nothing mechanical damage. tatol 6 times.

Specification for Horn Speaker		Page	5/6
		Revision No.	1.0
Model No.:	VSH-59	Drawing No.	VS20191014013

## 6. Dimensions



FIRST ANGLE PROJECTION



UNIT : mm  
Tolerance : ±0.2



Specification for Horn Speaker		Page	6/6
		Revision No.	1.0
Model No.:	VSH-59	Drawing No.	VS20191014013

## 7. Packing

Each minimum package unit of products shall be in a carton box and it shall be clearly marked with Part Number ,quantity and outgoing inspection number.

There shall be no mechanical damage on products during in storage.