

SPECIFICATION

FOR APPRONAL

Customer : _____

Product Name : Piezo Buzzer _____

Model Name : VSR4216F28 _____

Drawing No. : VS20220806002 _____

Signature of Voice

Approved by	Checkde by	Issued by	Date

 福爱斯电子有限公司
VOISE ELECTRONICS CO.,LTD.

Address:No 96 Mogao Dongqian Lake Industial Area ningbo,China,
Tel:0086-0574-87773030;Fax:0086-0574-87471600 P.C.315121
<http://www.nbvoice.com> Email:sales@nbvoice.com

Specification for Piezo Buzzer		Page	2/5
Model No.:	VSR4216F28	Revision No.	1.0
		Drawing No.	VS20220806002

Table of contents

1. Revision
2. Scope
3. General Characteristics
4. Electrical and Acoustic Characteristics.
5. Dimensions
6. Packing

1. Revision

Rev.No.	Date	Page	Description of Revision
1.0	2022/8/6		Preliminary

Specification for Piezo Buzzer		Page	3/5
		Revision No.	1.0
Model No.:	VSR4216F28	Drawing No.	VS20220806002

2. Scope

This product specification is applied to the Buzzer in alarm systems. Please contact us when using this product for any other applications than described in the above.

3. General Characteristics

- 3.1 Out-Diameter : 42 mm
- 3.2 Height : 16 mm
- 3.3 Weight : 10 g
- 3.4 Operating Temperature : -20~+60°C without loss of function
- 3.5 Store Temperature : -30~+70°C without loss of function

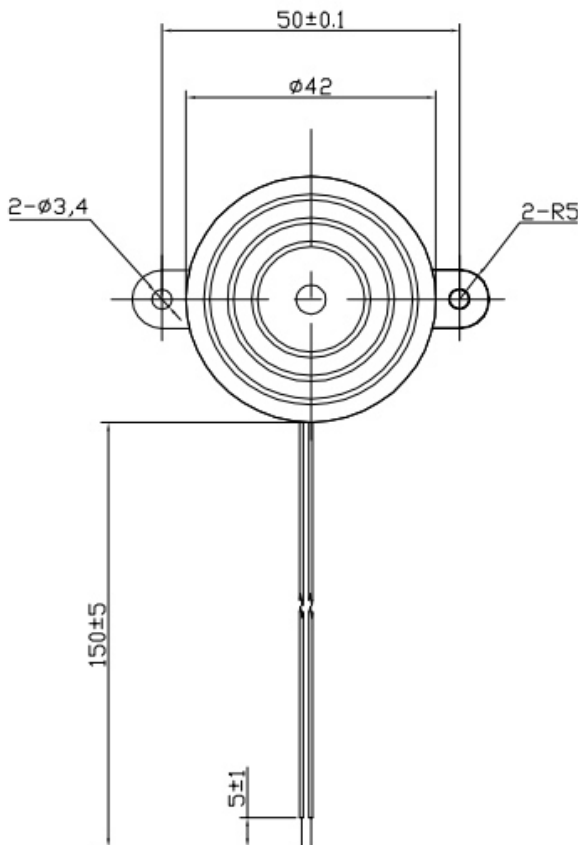
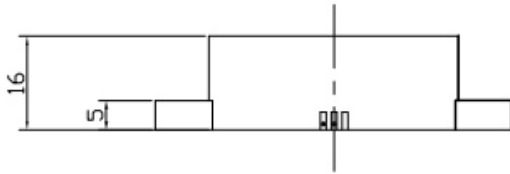
4. Electrical and Acoustic Characteristics.

Test condition : 15 ~ 35 °C Temp., 25% ~ 75% RH, 86~106 kPa Refer to IEC60268-1

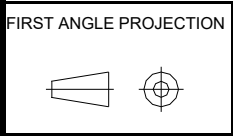
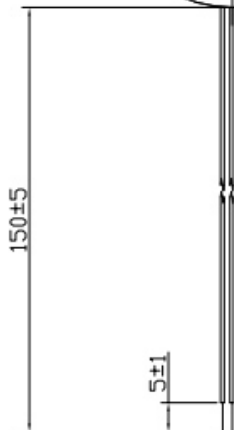
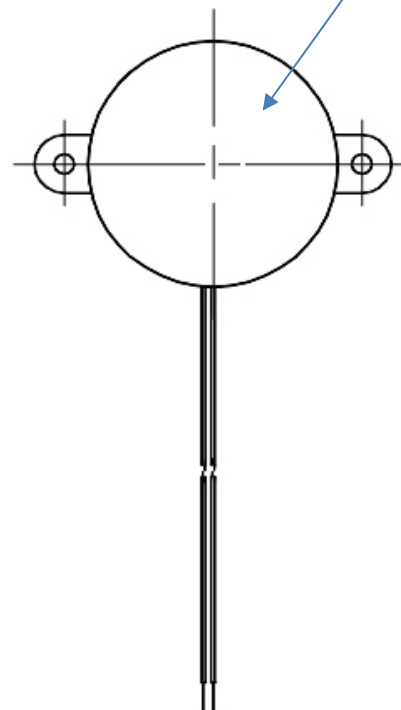
No	Items	Specification
1	Rated Voltage	12Vp-p square wave
2	Max Working Voltage	30Vp-p square wave
3	Max. Rated Current	5mA at 2.8KHz/12Vp-p Square Wave
4	Capacitance at 120Hz	35000±30%pF
5	Min Sound Pressure Level	85dB/12Vp-p square wave/30cm
6	Resonant Frequency	2.8±0.5KHz
7	Housing Material	ABS
8	Color	Black

Specification for Piezo Buzzer		Page	4/5
		Revision No.	1.0
Model No.:	VSR4216F28	Drawing No.	VS20220806002

5. Dimensions



Marking: VSR4216F28



UNIT : mm

Tolerance : ±0.2

Specification for Piezo Buzzer		Page	5/5
		Revision No.	1.0
Model No.:	VSR4216F28	Drawing No.	VS20220806002

6. Packing

Each minimum package unit of products shall be in a carton box and it shall be clearly marked with Part Number ,quantity and outgoing inspection number.

There shall be no mechanical damage on products during in storage.